

»FUTURA« series

Filters with excellent flow rates in modern design.

Input pressure	1.5 - 16 bar
Temperature range	-10 °C to 50 °C
Medium	Compressed air, neutral gases
Housing	PA66 GF60
Connecting thread	Material: Die-cast zinc
Sealant	NBR
Filter element	Cellpor (PE)
Filter rating	5 µm
Flow rate measurement	At P ₂ = 6 bar and pressure drop Δ _p = 1 bar

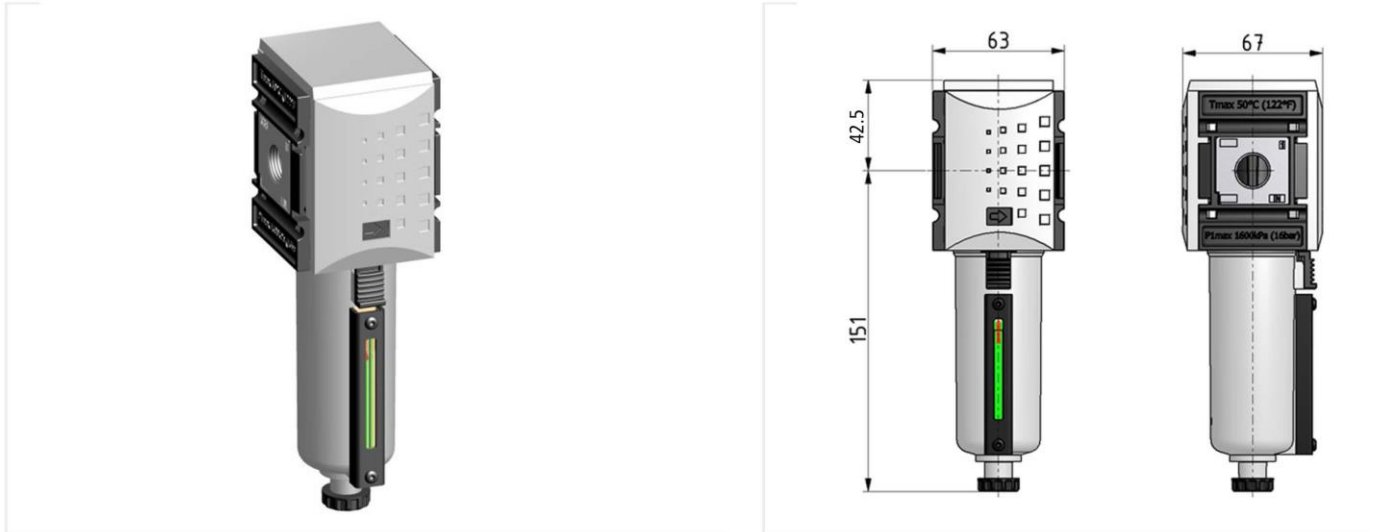
Filter with metal bowl and sight glass

Art. No.	Type No.	Thread	Size	Flow rate l/min	Condensate drain
139506	FU 833-M	G 3/8	2	3500	Semi-automatic
139507	FU 834-M	G 1/2	2	3500	Semi-automatic
156558	FU 843-M	G 3/8	2	3500	Fully-automatic
156559	FU 844-M	G 1/2	2	3500	Fully-automatic

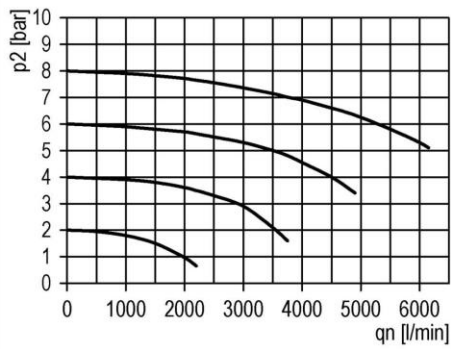
Accessories / spare parts

Art. No.	Type No.	Description
100043	H 852	Mounting bracket, incl. 2 screws
100044	WK 102	Wall bracket, incl. 2 screws
100045	KP 200	Joiner set, incl. 2 screws
100135	BSF 12	Polycarbonate bowl, incl. bowl guard
100136	MF 12	Metal bowl, incl. sight glass
100137	BSF 12-A	Polycarbonate bowl with automatic drain valve
100138	MF 12-A	Metal bowl, incl. sight glass, with automatic drain valve
100331	WK 102-38	Wall bracket with connection thread G 3/8
100332	WK 102-12	Wall bracket with connection thread G 1/2
100333	WK 102-34	Wall bracket with connection thread G 3/4
100139	844.6.905	Filter element 5 µm, cellpor
100362	655.6.900	Automatic drain valve

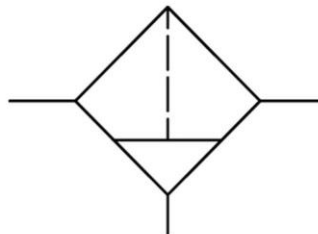
Semi-automatic:



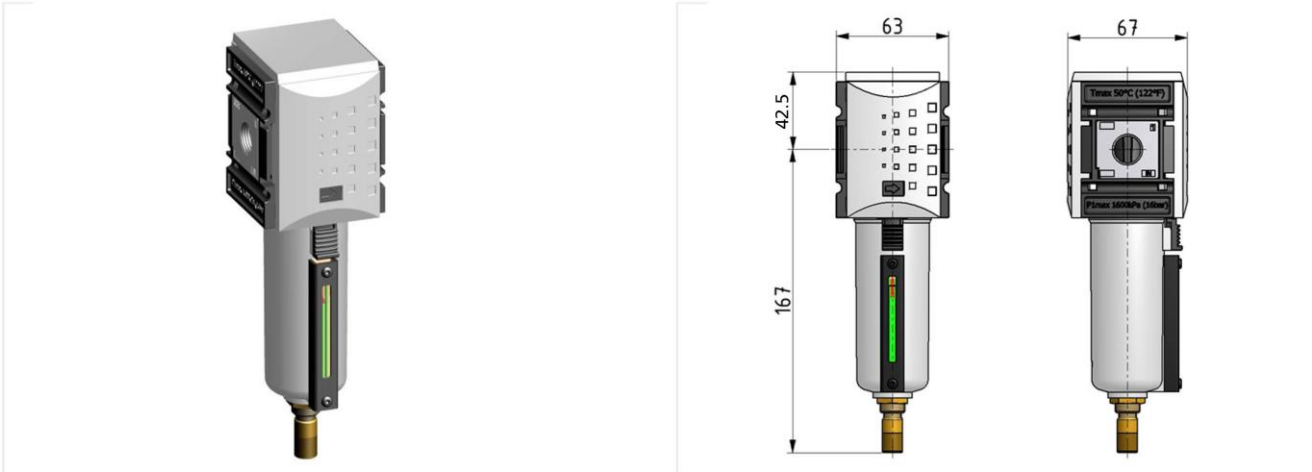
flow characteristic



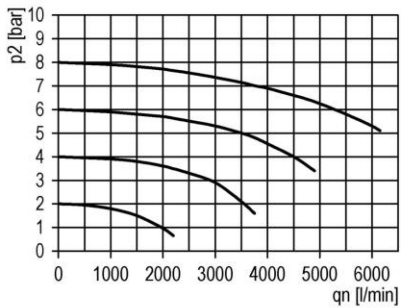
symbol



Fully-automatic:



flow characteristic



symbol

